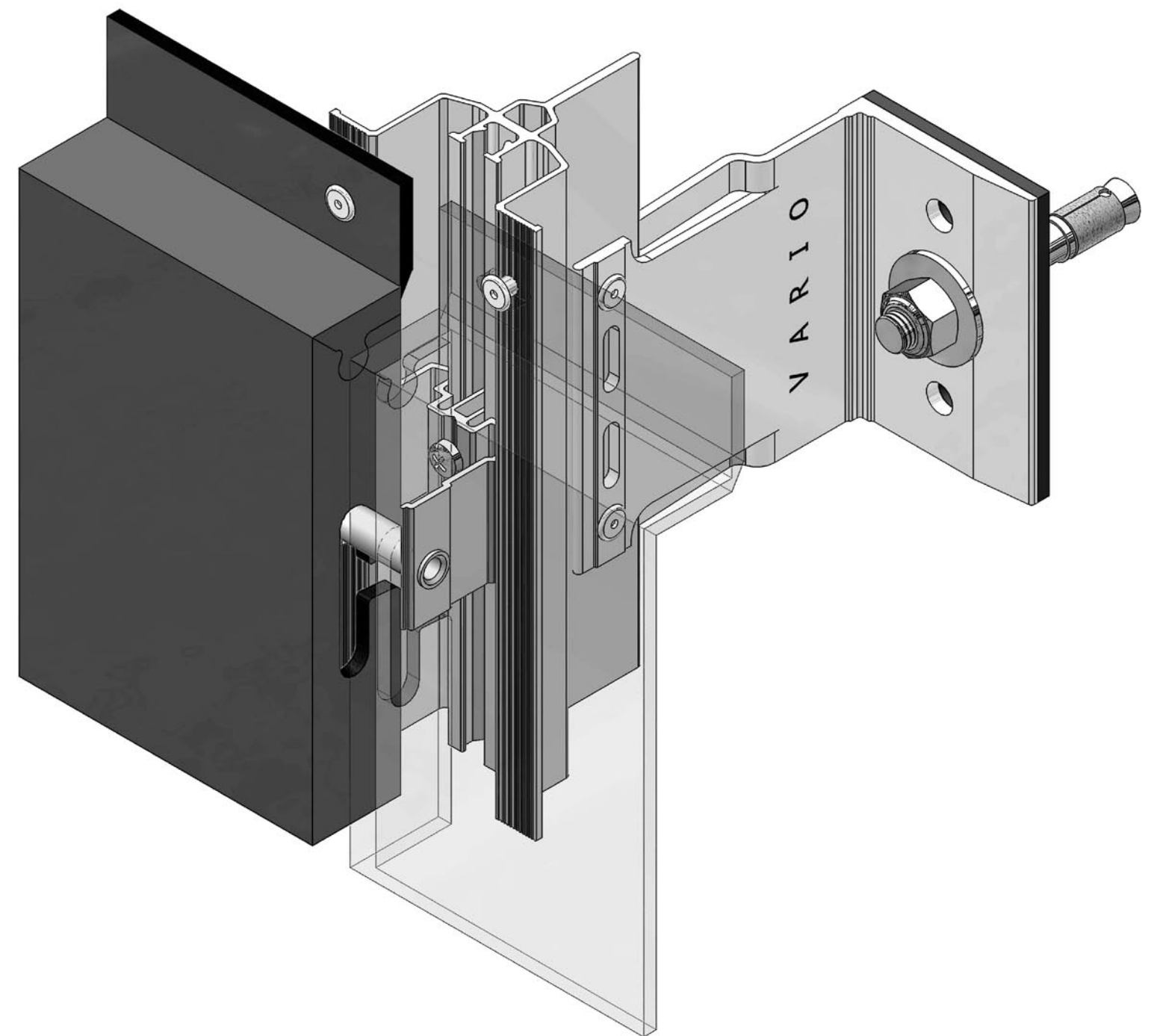
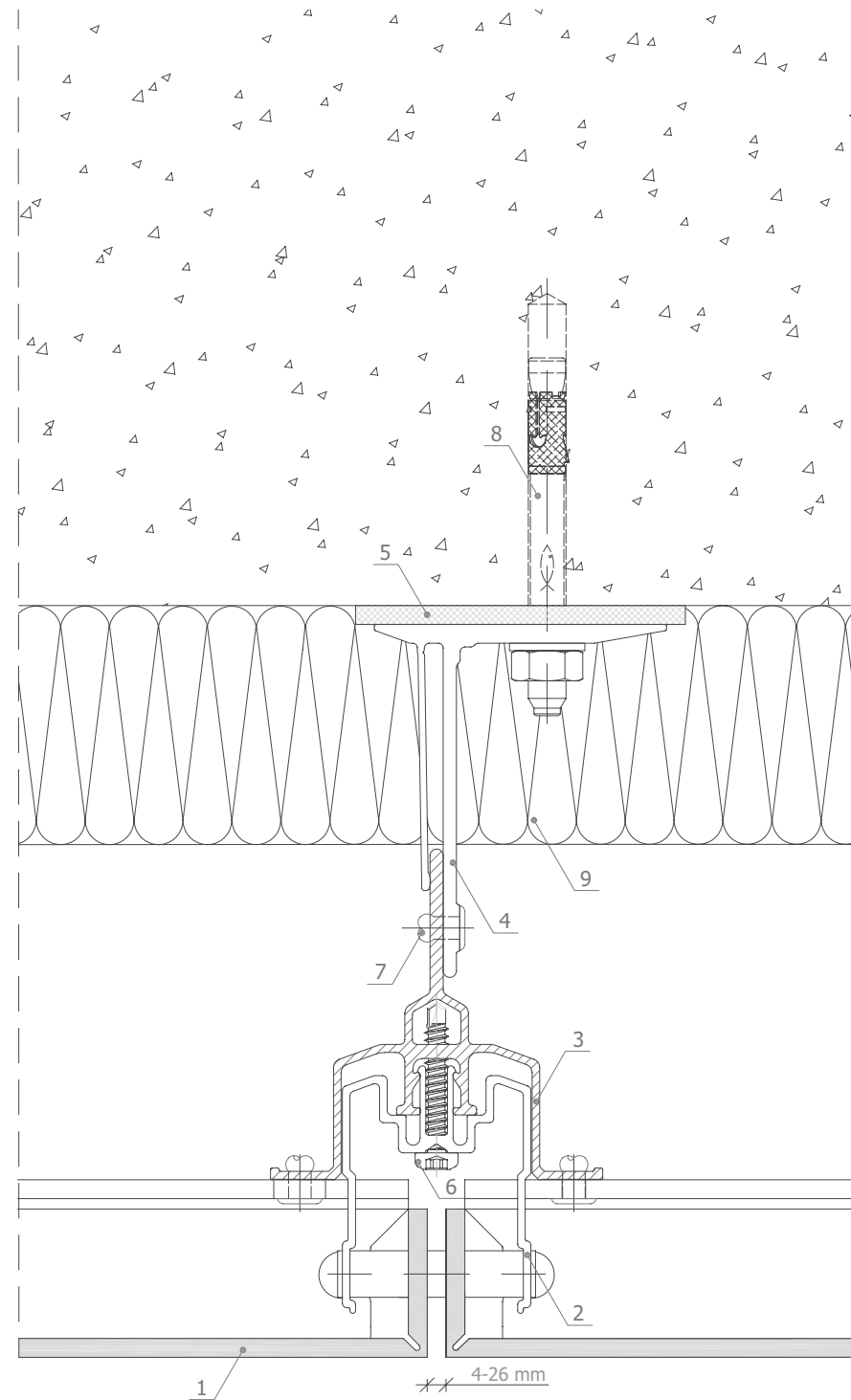


**VENTILATED  
FAÇADE SYSTEMS  
FOR HANGING  
ETALBOND®**

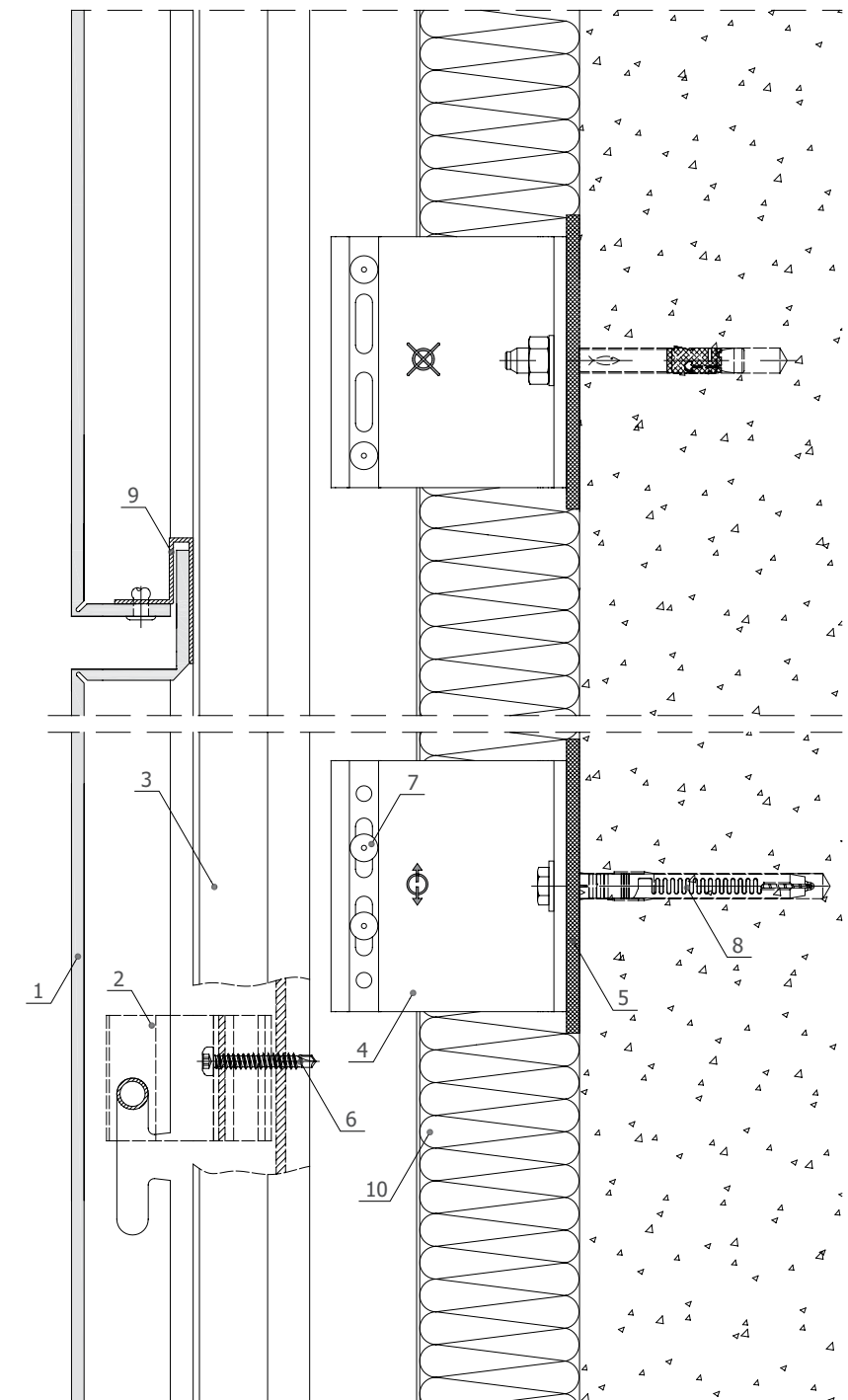


## detail 1 - etalbond®



1. etalbond®
2. hanger
3. main profile
4. fixing bracket - 75 mm
5. thermo-insulation pad
6. self drilling screw - 4.8x32
7. rivet - 4.8x12
8. anchor
9. thermal insulation

## detail 2 - etalbond®



1. etalbond®
2. hanger
3. main profile
4. fixing bracket - 75 mm
5. thermo-insulation pad
6. self drilling screw - 4.8x32
7. rivet - 4.8x12
8. anchor/plug
9. supporting profile
10. thermal insulation

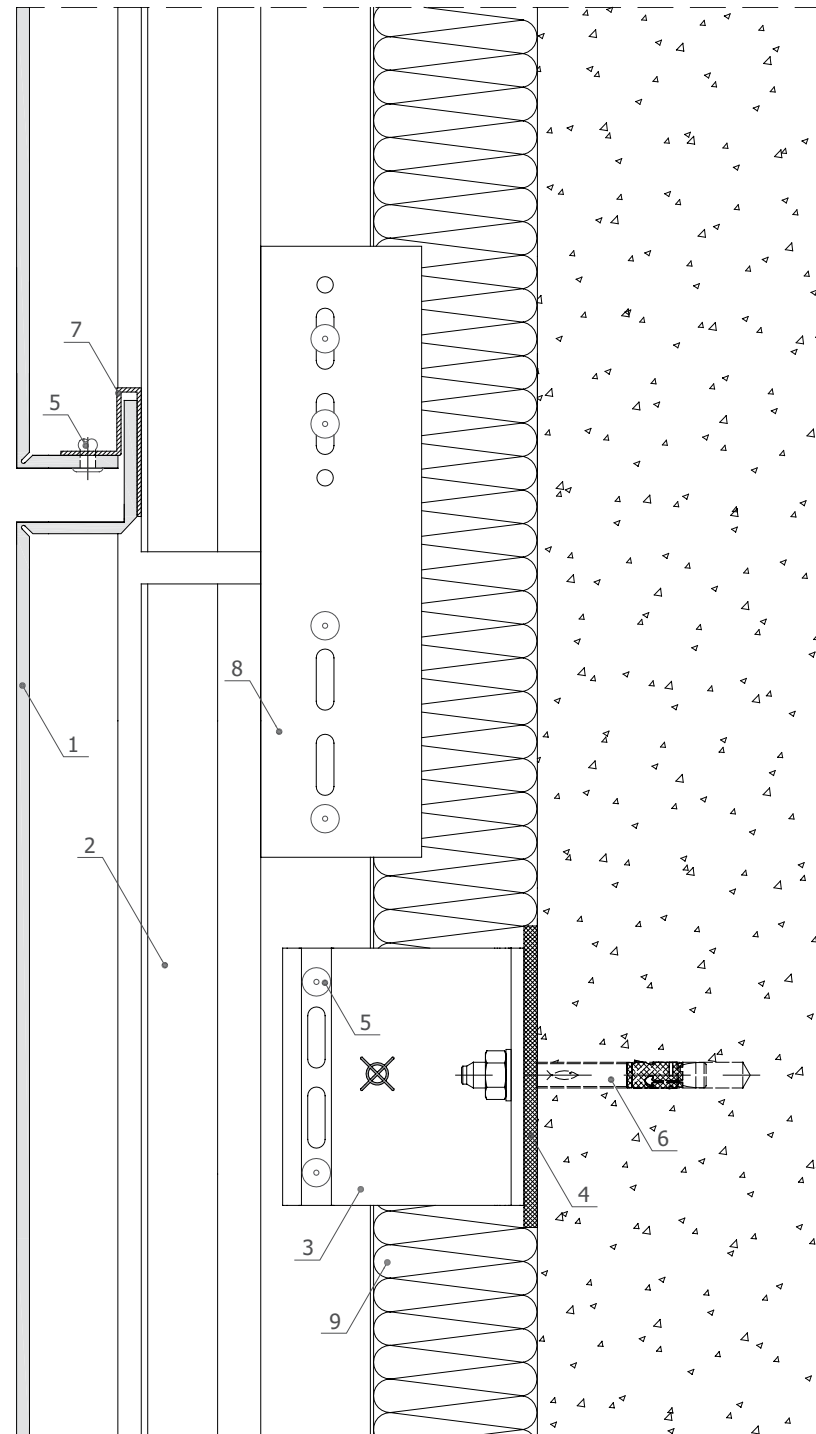
03/2010

The engineering design of this product is an intellectual property of ETEM Building Systems.  
Copying and distributing any parts of the product is a violation of the copyright law.

03/2010

The engineering design of this product is an intellectual property of ETEM Building Systems.  
Copying and distributing any parts of the product is a violation of the copyright law.

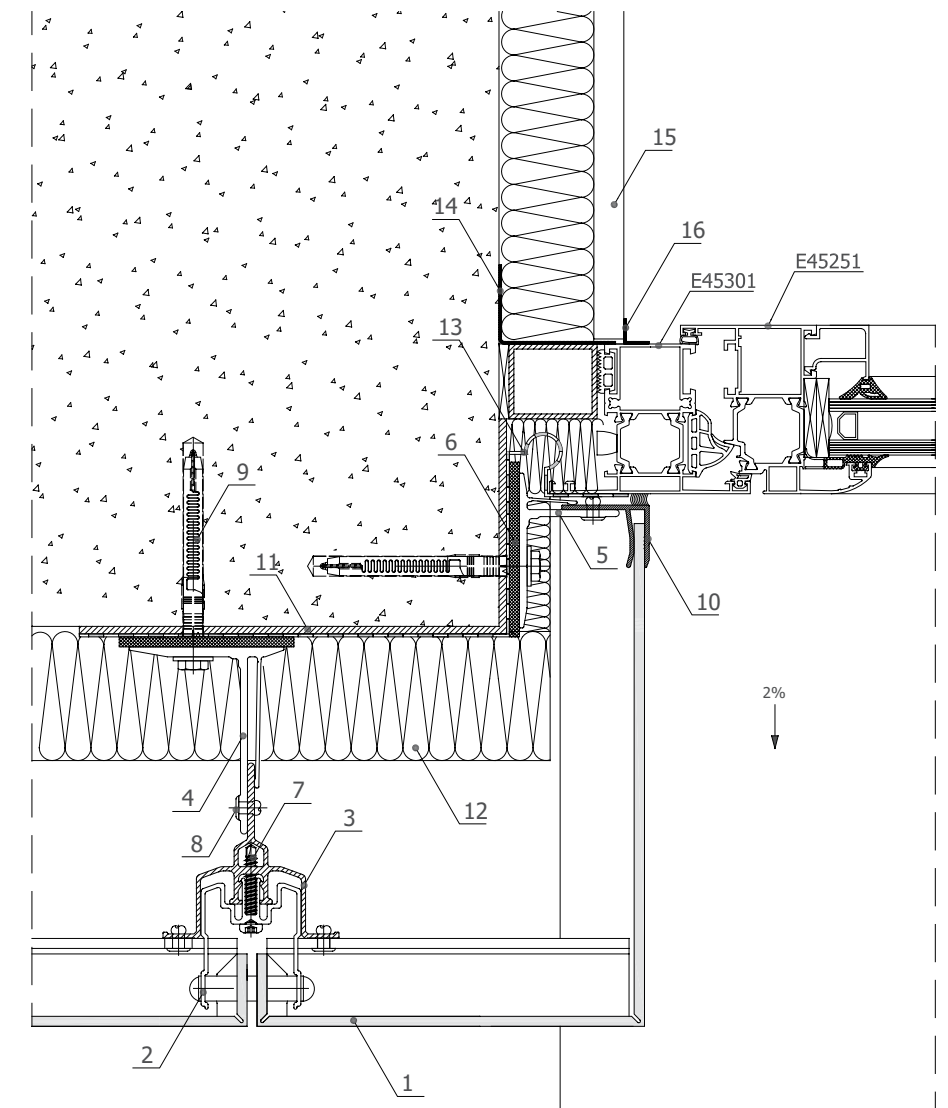
## detail 2.1 - etalbond®



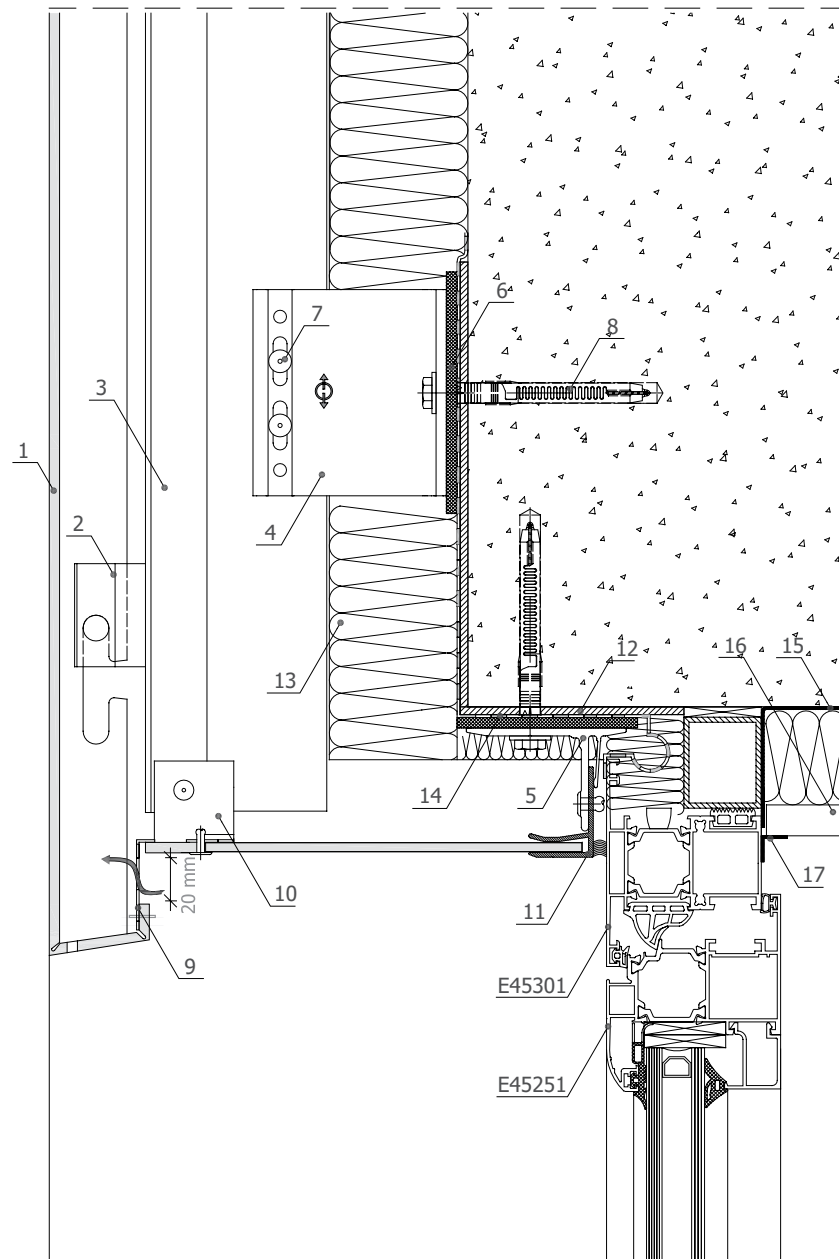
1. etalbond®
2. main profile
3. fixing bracket - 75 mm
4. thermo-insulation pad
5. rivet - 4.8x12
6. anchor
7. supporting profile
8. joint profile
9. thermal insulation

1. etalbond®
2. hanger
3. main profile
4. fixing bracket - 75 mm
5. fixing bracket - 40 mm
6. thermo-insulation pad
7. self drilling screw - 4.8x32
8. rivet - 4.8x12
9. plug
10. F profile
11. aluminum sheet 3 mm
12. thermal insulation
13. waterproofing
14. streamproofing membrane
15. plasterboard
16. decorative PVC profile

## detail 3 - etalbond®

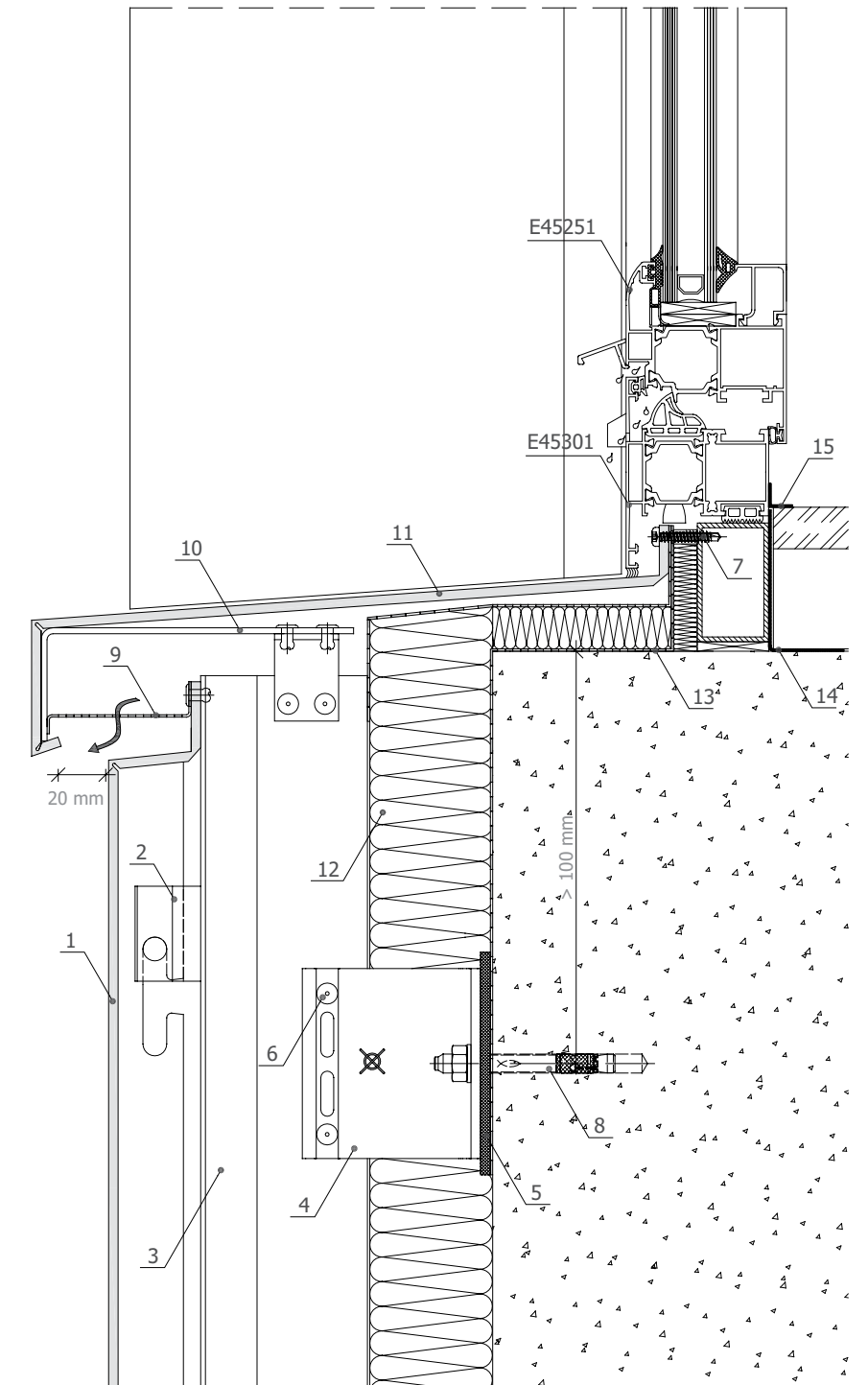


## detail 4 - etalbond®



1. etalbond®
2. hanger
3. main profile
4. fixing bracket -75 mm
5. fixing bracket -40 mm
6. thermo-insulation pad
7. rivet - 4.8x12
8. plug
9. punched metal sheet
10. L profile
11. F profile
12. aluminum sheet 3 mm
13. thermal insulation
14. waterproofing
15. streamproofing membrane
16. plasterboard
17. decorative PVC profile

## detail 5 - etalbond®



1. etalbond®
2. hanger
3. main profile
4. fixing bracket -75 mm
5. thermo-insulation pad
6. rivet - 4.8x12
7. self drilling screw - 4.2x26
8. anchor
9. punched metal sheet
10. aluminum sheet 3 mm
11. drip sill
12. thermal insulation
13. waterproofing
14. streamproofing membrane
15. decorative PVC profile

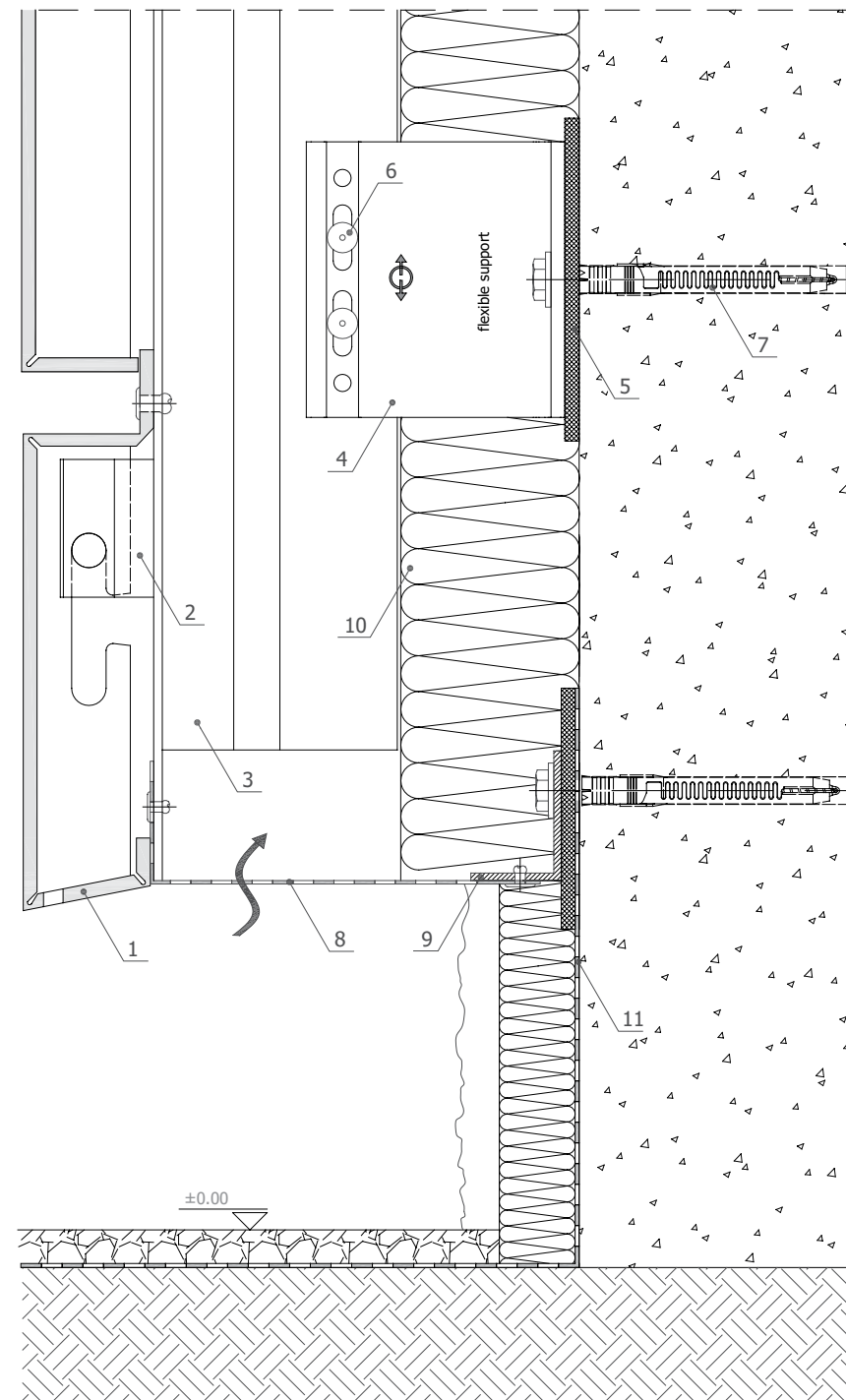
03/2010

The engineering design of this product is an intellectual property of ETEM Building Systems.  
Copying and distributing any parts of the product is a violation of the copyright law.

03/2010

The engineering design of this product is an intellectual property of ETEM Building Systems.  
Copying and distributing any parts of the product is a violation of the copyright law.

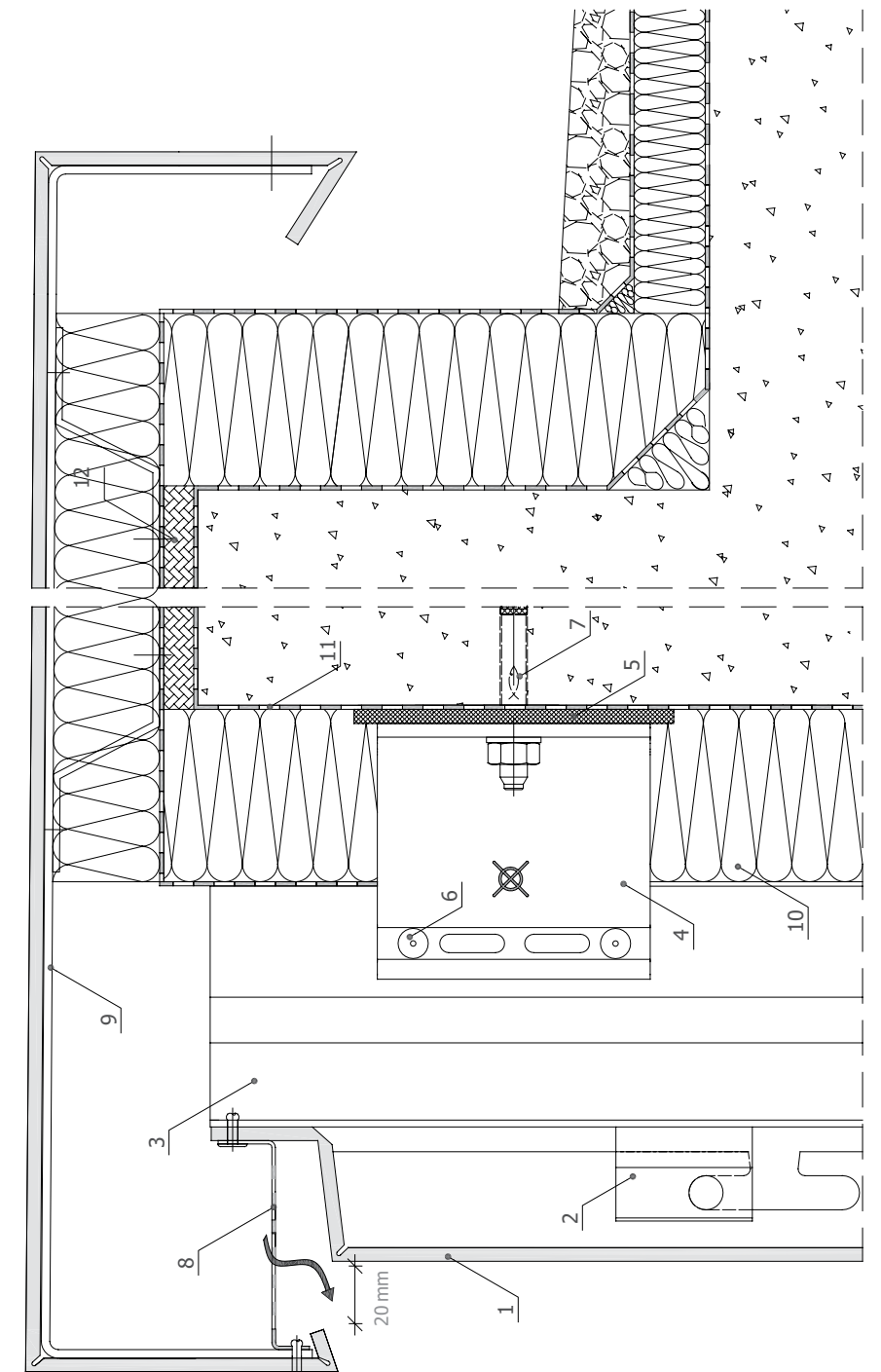
## detail 6 - etalbond®



1. etalbond®
2. hanger
3. main profile
4. fixing bracket - 75 mm
5. thermo - insulation pad
6. rivet - 4.8x12
7. plug
8. punched metal sheet
9. L profile
10. thermal insulation
11. waterproofing

1. etalbond®
2. hanger
3. main profile
4. fixing bracket - 75 mm
5. thermo - insulation pad
6. rivet - 4.8x12
7. anchor
8. punched metal sheet
9. aluminum sheet 3 mm
10. thermal insulation
11. waterproofing
12. plywood

## detail 7 - etalbond®



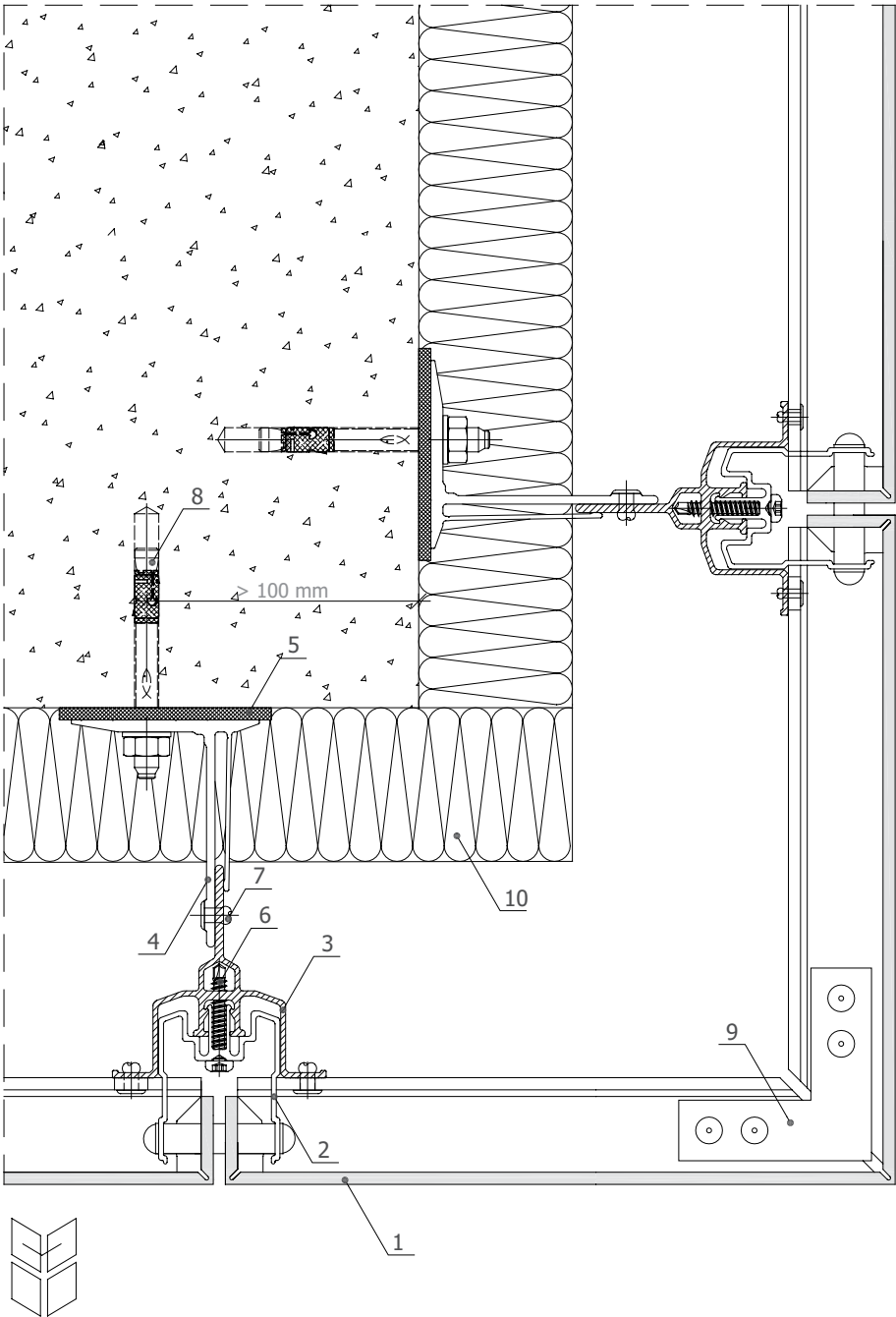
03/2010

The engineering design of this product is an intellectual property of ETEM Building Systems.  
Copying and distributing any parts of the product is a violation of the copyright law.

03/2010

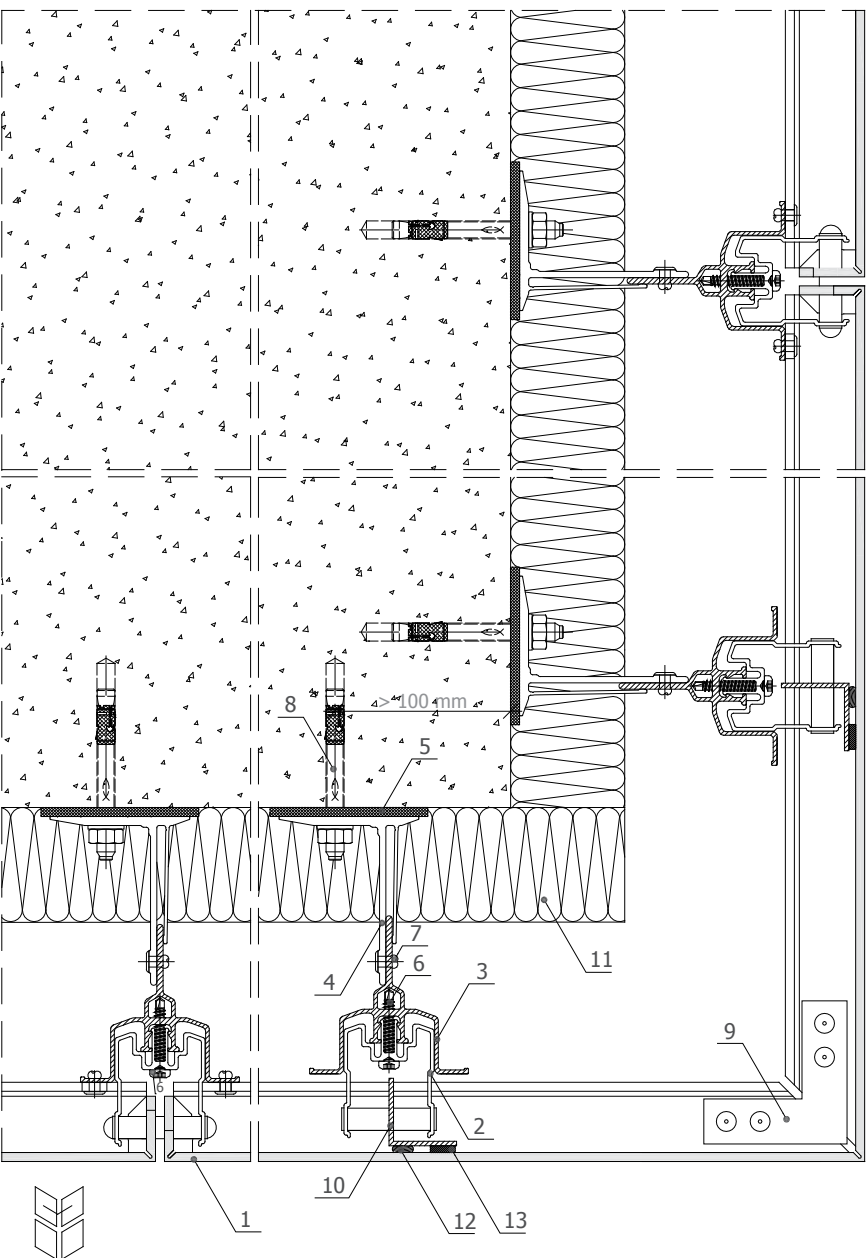
The engineering design of this product is an intellectual property of ETEM Building Systems.  
Copying and distributing any parts of the product is a violation of the copyright law.

# detail 8 - etalbond®



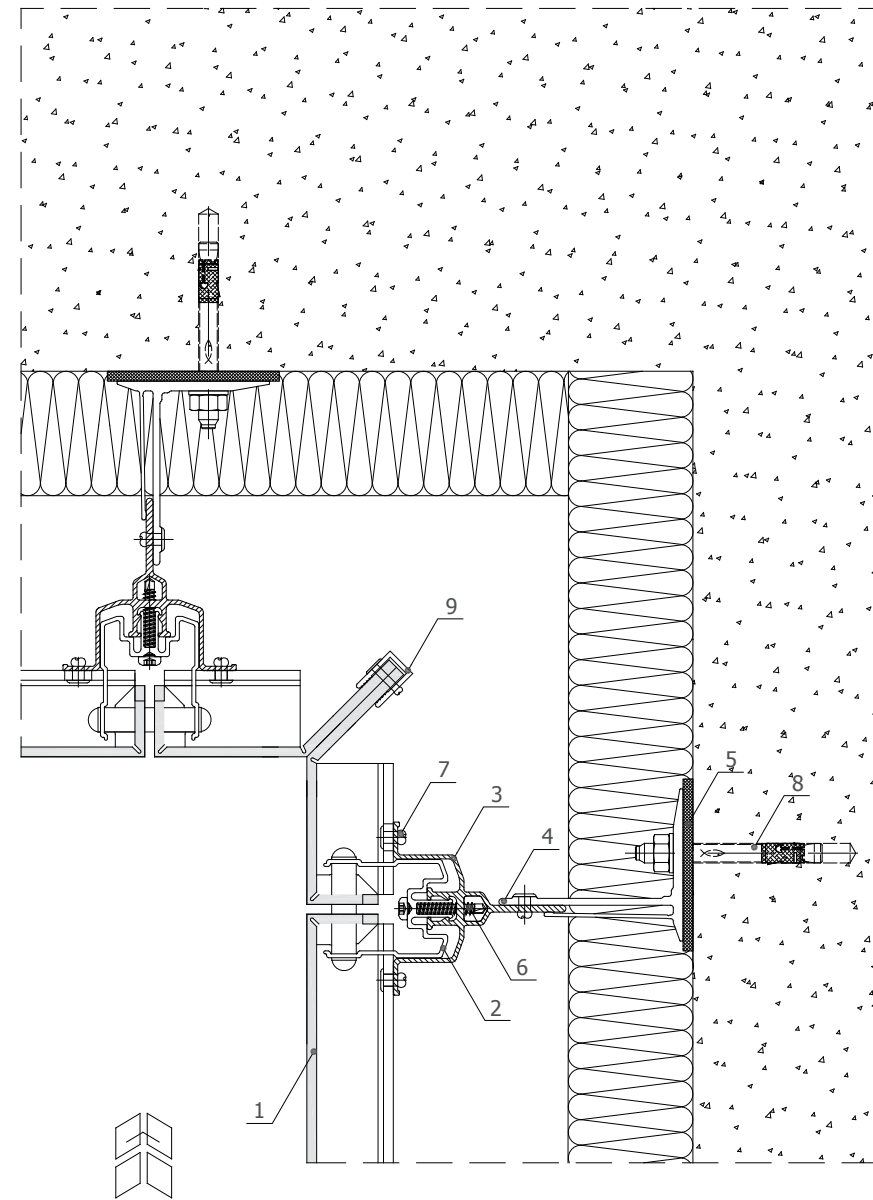
- 1. etalbond®
- 2. hanger
- 3. main profile
- 4. fixing bracket - 75 mm
- 5. thermo-insulation pad
- 6. self drilling screw - 4.8x32
- 7. rivet - 4.8x12
- 8. anchor
- 9. aluminum sheet 3 mm
- 10. thermal insulation

# detail 8.1- etalbond®



- 1. etalbond®
- 2. hanger
- 3. main profile
- 4. fixing bracket - 75 mm
- 5. thermo-insulation pad
- 6. self drilling screw - 4.8x32
- 7. rivet - 4.8x12
- 8. anchor
- 9. aluminum plank
- 10. L profile
- 11. thermal insulation

# detail 9 - etalbond®



1. etalbond®

2. hanger

3. main profile

4. fixing bracket - 75 mm

5. thermo-insulation pad

6. self drilling screw - 4.8x32

7. rivet - 4.8x12

8. anchor

9. thermal insulation

Profile 21958

Weight 1329 g/m

$I_x = 37.52 \text{ cm}^4$

$W_x = 5.9 \text{ cm}^3$

$I_y = 8.9 \text{ cm}^4$

$W_y = 2.52 \text{ cm}^3$

$A = 4.9 \text{ cm}^2$

Profile 21895

Weight 1209 g/m

$I_x = 13.35 \text{ cm}^4$

$W_x = 3.04 \text{ cm}^3$

$I_y = 8.9 \text{ cm}^4$

$W_y = 2.52 \text{ cm}^3$

$A = 4.07 \text{ cm}^2$

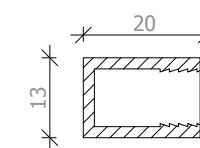
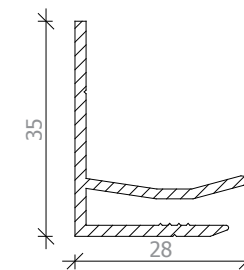
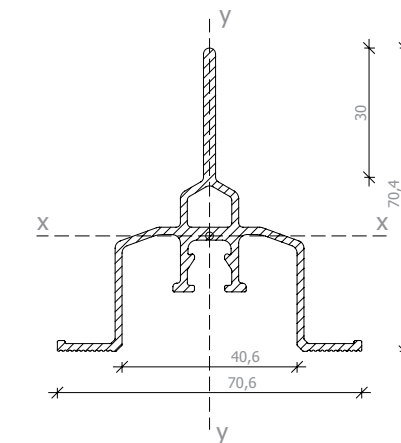
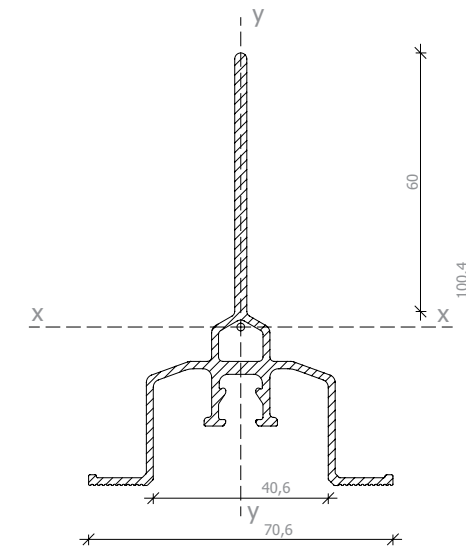
Profile 31064

Weight 392g/m

Profile 5256

Weight 248g/m

# main profile



03/2010

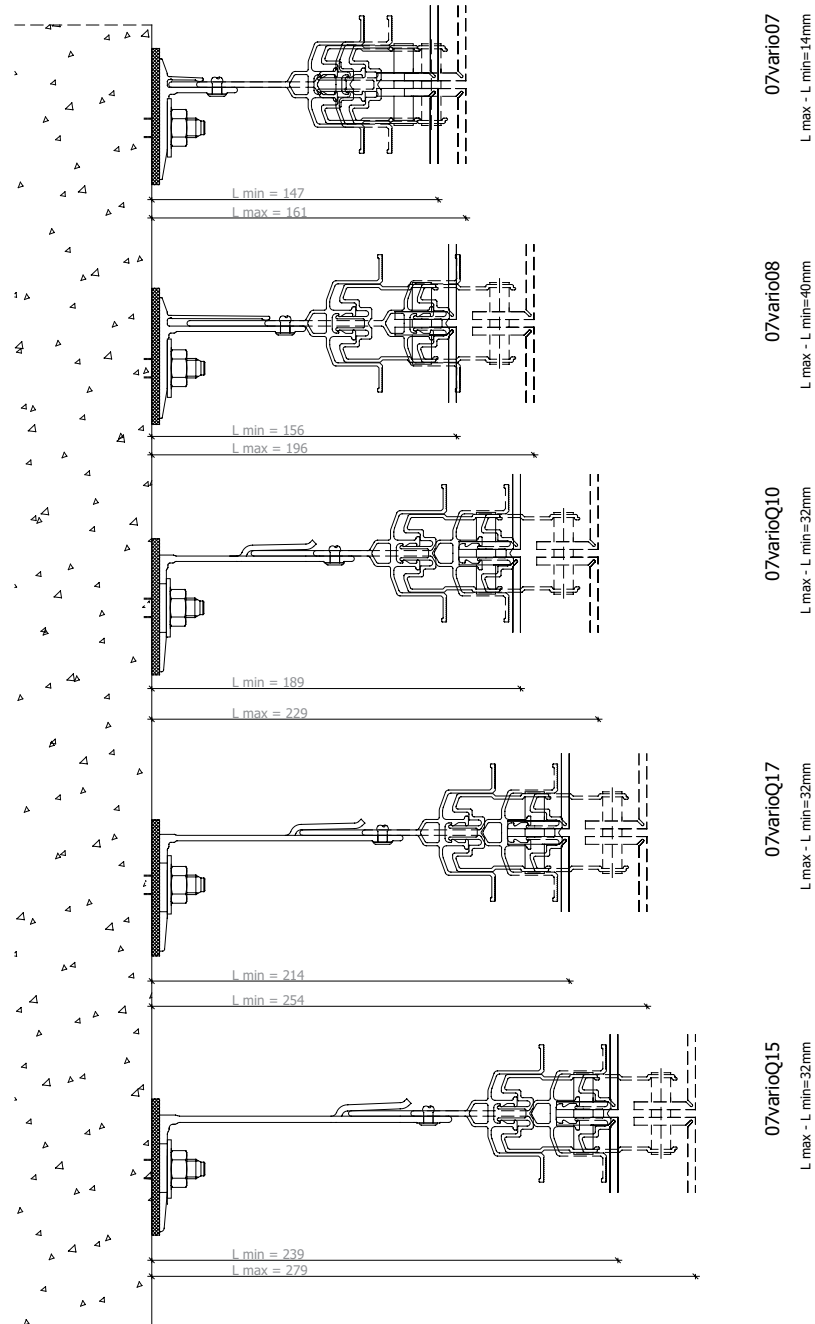
The engineering design of this product is an intellectual property of ETEM Building Systems. Copying and distributing any parts of the product is a violation of the copyright law.



03/2010

The engineering design of this product is an intellectual property of ETEM Building Systems. Copying and distributing any parts of the product is a violation of the copyright law.

# mounting distance from the construction base of profile 21958

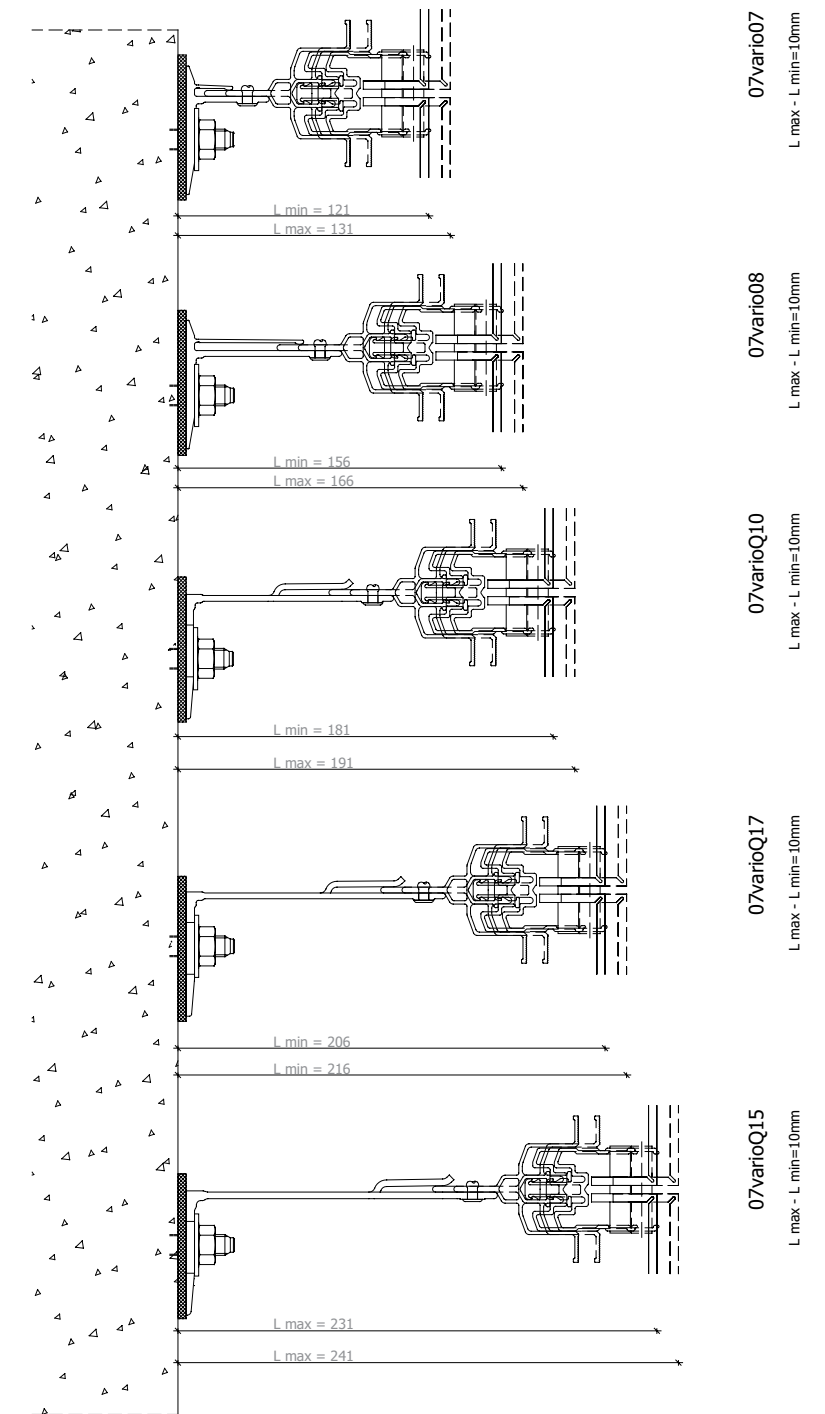


03/2010

The engineering design of this product is an intellectual property of ETEM Building Systems. Copying and distributing any parts of the product is a violation of the copyright law.



# mounting distance from the construction base of profile 21895



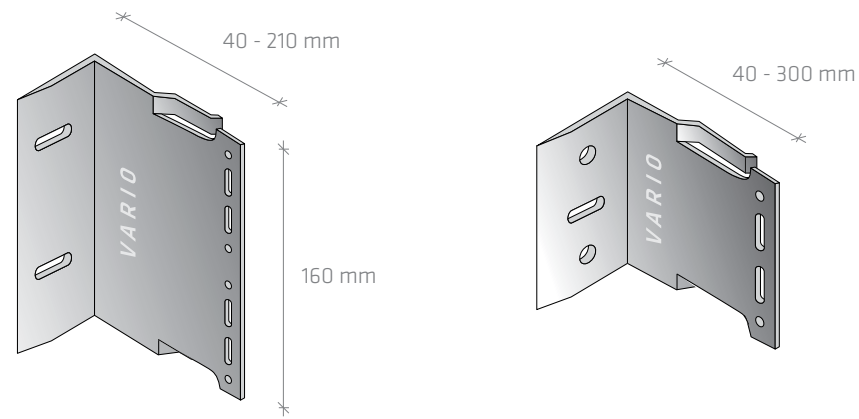
03/2010

The engineering design of this product is an intellectual property of ETEM Building Systems. Copying and distributing any parts of the product is a violation of the copyright law.

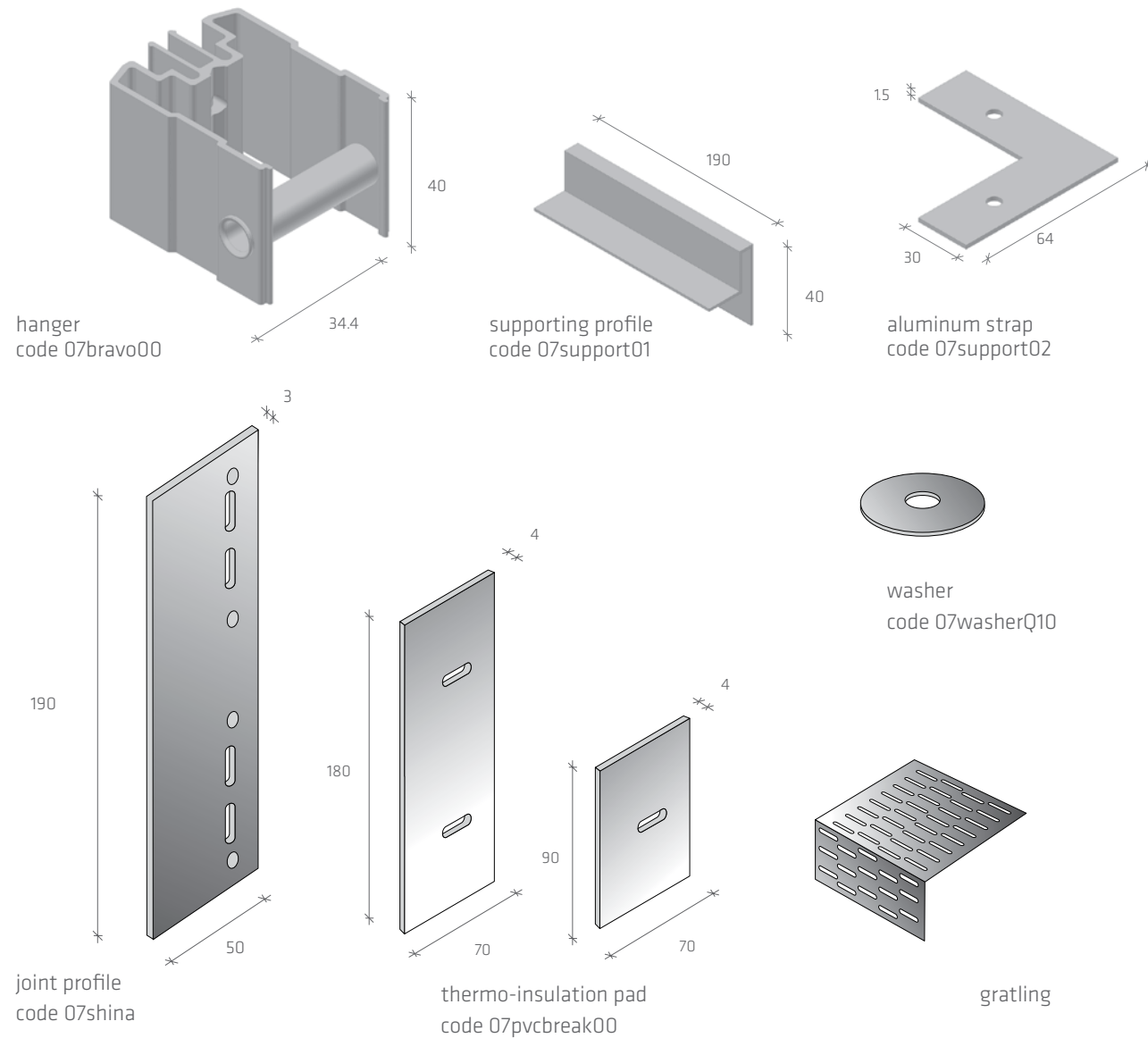




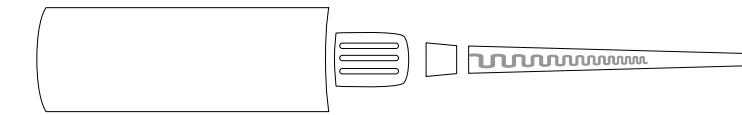
# fixing bracket



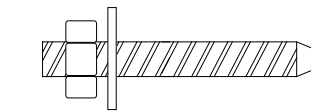
# accessories



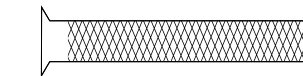
# fastening elements



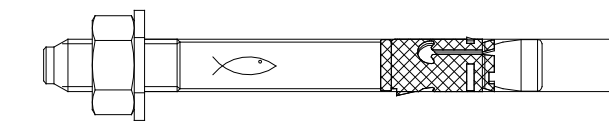
chemical anchor



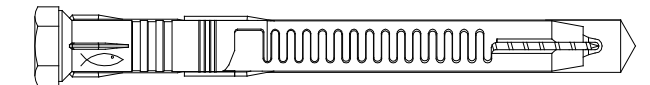
threaded rod



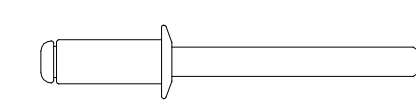
plastic sieve



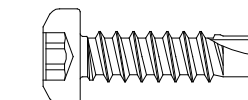
anchor



plug



rivet



self drilling screw

03/2010

The engineering design of this product is an intellectual property of ETEM Building Systems. Copying and distributing any parts of the product is a violation of the copyright law.



03/2010

The engineering design of this product is an intellectual property of ETEM Building Systems. Copying and distributing any parts of the product is a violation of the copyright law.



BRAVO

BRAVO